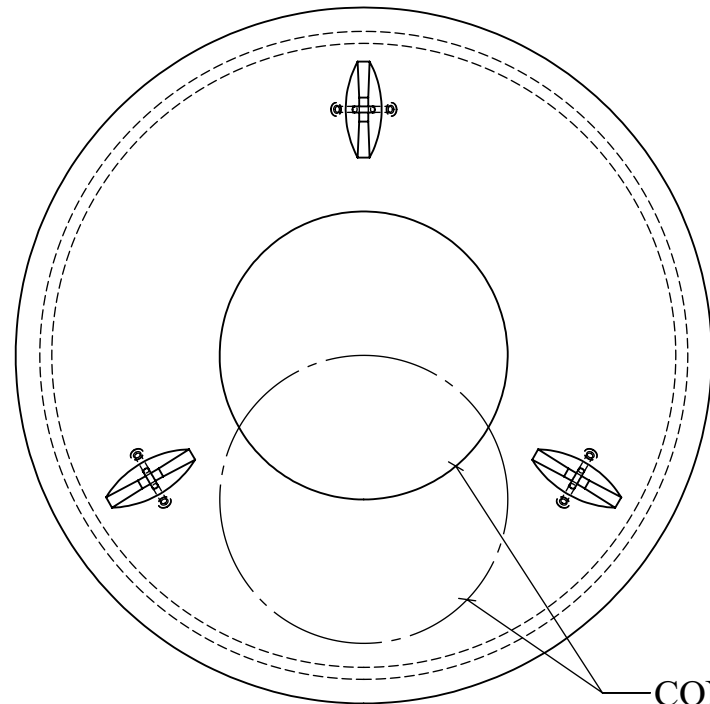
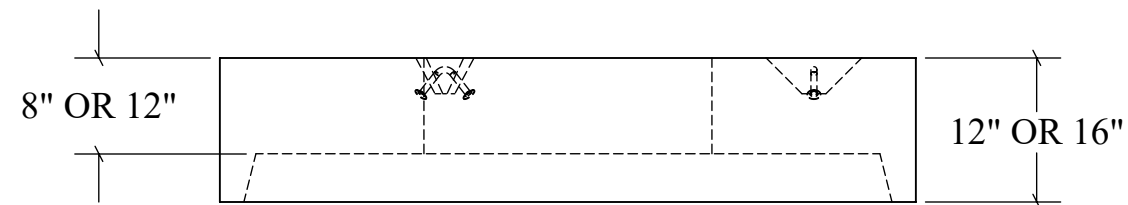


# Ø 48" FLAT TOP LID

**TOP VIEW**

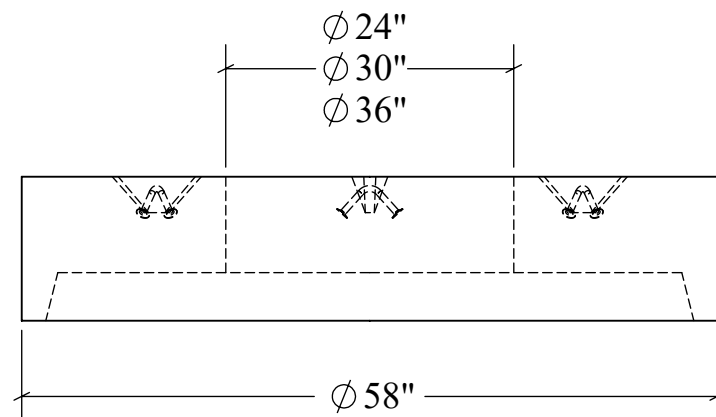


**END VIEW**

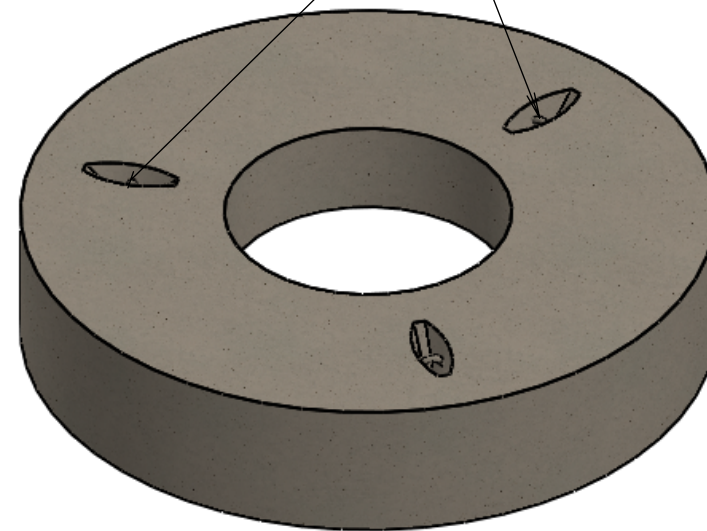


CONCENTRIC OR ECCENTRIC  
OPENING AS NEEDED.  
RINGS CAST IN ON REQUEST

**SECTION VIEW**



LIFTING POINTS



**STRUCTURAL NOTES:**

1. ALL CONCRETE SHALL BE PLACED IN A SINGLE CONTINUOUS OPERATION (MONOLITHIC POUR).
2. CONCRETE SHALL HAVE A MINIMUM 28-DAY COMPRESSIVE STRENGTH OF 4000 PSI CONCRETE AGGREGATE SHALL CONFORM TO ASTM C33.
3. CEMENT SHALL CONFORM TO ASTM C150, TYPE I, II, OR III.
4. ALL MANHOLE CONSTRUCTION SHALL CONFORM TO ASTM C478.
5. H-20 LOAD RATED

| DECK THICKNESS | WEIGHT (LBS)* |
|----------------|---------------|
| 8"             | 1,820         |
| 12"            | 2,750         |

\*WEIGHT CALCULATED W/ Ø 24" ACCESS OPENING

|   |                               |   |
|---|-------------------------------|---|
| <b>DRAWN:</b><br>9/29/23                  | <b>WEIGHT:</b><br>VARIES      | <b>SCALE:</b><br>VARIES                                   |
| <b>MATERIAL:</b><br>4,000 PSI<br>CONCRETE | <b>FINISH:</b><br>FORM FINISH | DIMENSIONS ARE IN<br>FEET & INCHES<br>TOLERANCES: ± 4-IN. |



**PRECISION PRECAST**  
575-382-0501  
SALES@PRECISIONPRECAST.CO  
WWW.PRECISIONPRECAST.CO

PROPRIETARY AND CONFIDENTIAL THE INFORMATION CONTAINED IN THIS DRAWING IS THE SOLE PROPERTY OF LECO INDUSTRIES INC DBA PRECISION PRECAST. ANY REPRODUCTION PART OR AS A WHOLE WITHOUT WRITTEN PERMISSION OF LECO INDUSTRIES, INC DBA PRECISION PRECAST IS PROHIBITED.