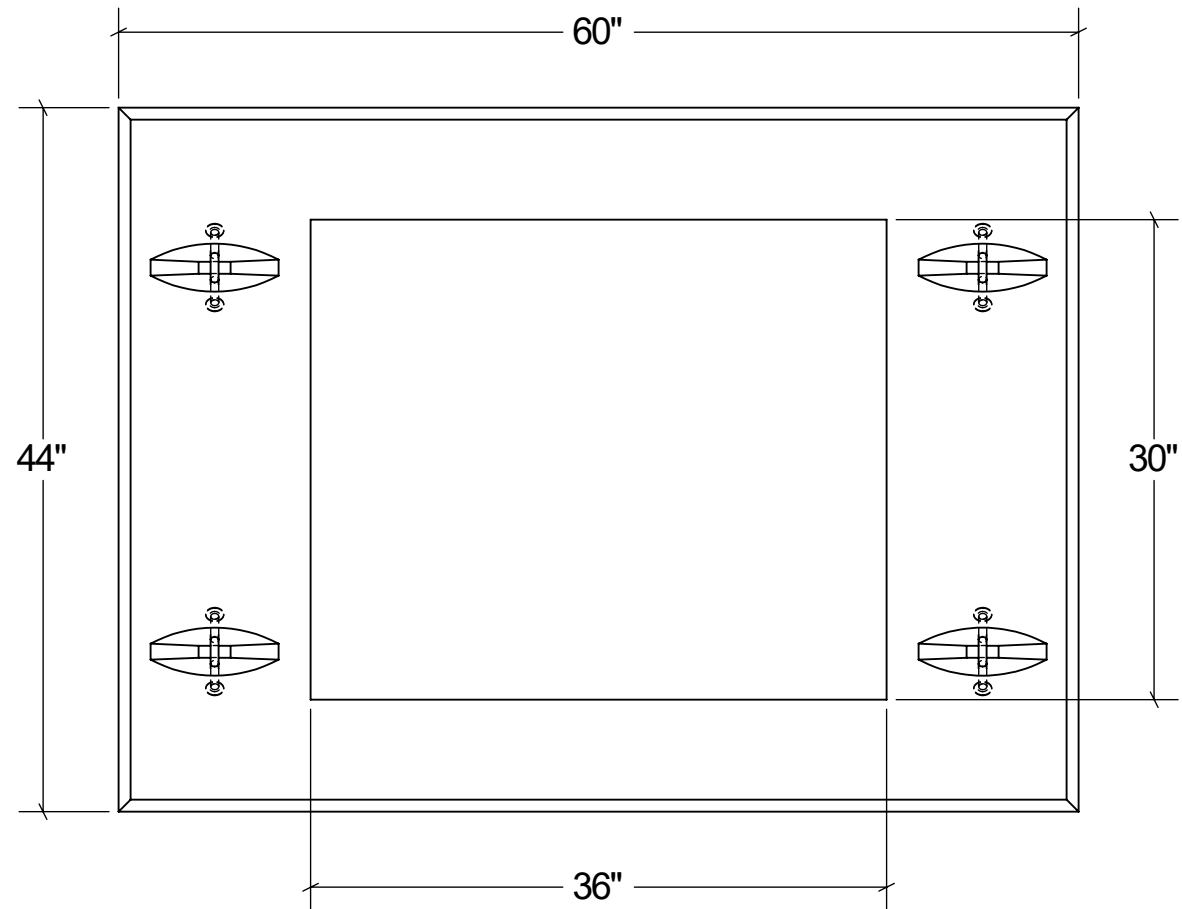
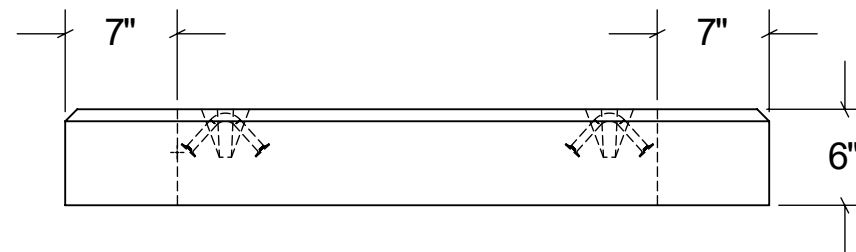


PAD "S"

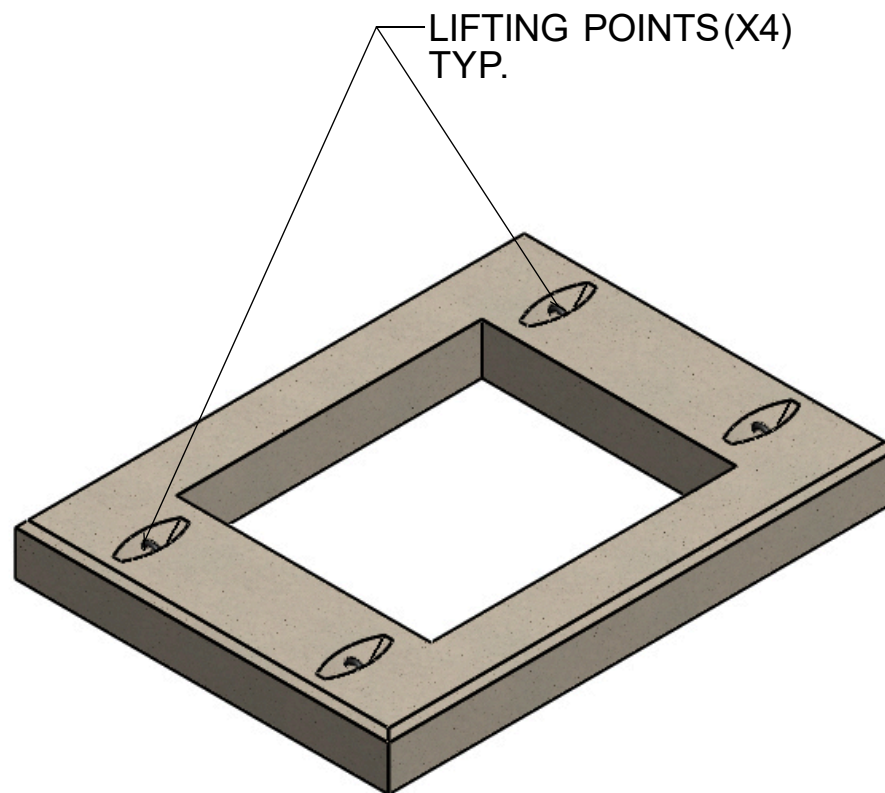
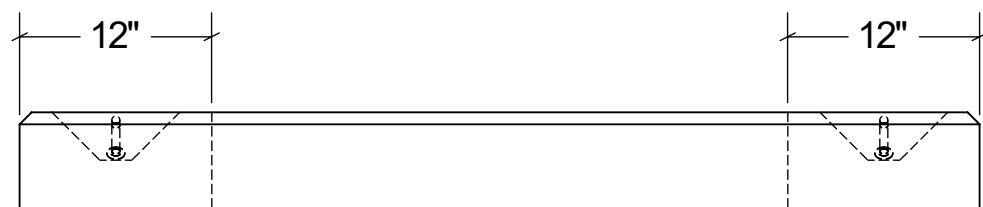
TOP VIEW



END VIEW



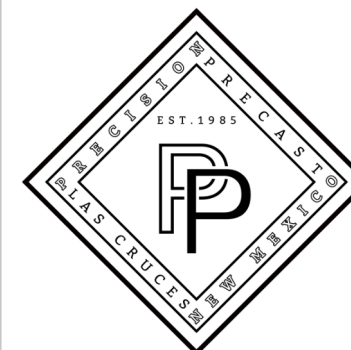
SECTION VIEW



STRUCTURAL NOTES:

1. ALL CONCRETE SHALL BE PLACED IN A SINGLE CONTINUOUS OPERATION (MONOLITHIC POUR).
2. CONCRETE SHALL HAVE A MINIMUM 28-DAY COMPRESSIVE STRENGTH OF 4000 PSI. CONCRETE AGGREGATE SHALL CONFORM TO ASTM C33.
3. CEMENT SHALL CONFORM TO ASTM C150, TYPE I, II, OR III.
4. MINIMUM REINFORCEMENT GRADE 60 # 5 REBAR 7" O.C. BOTH WAYS, TERMINATE WITH 90° A.C.I. BENDS. 1 1/2" COVER REQD. ON ALL STEEL, DOUBLE MAT

DRAWN: 03/06/23	WEIGHT: 798 LBS.	SCALE: VARIES
MATERIAL: 4,000 PSI CONCRETE	FINISH: FORM FINISH	DIMENSIONS ARE IN FEET & INCHES TOLERANCES: ± 2-IN.



PRECISION PRECAST
 575-382-0501
 SALES@PRECISIONPRECAST.CO
 WWW.PRECISIONPRECAST.CO

PROPRIETARY AND CONFIDENTIAL THE INFORMATION CONTAINED IN THIS DRAWING IS THE SOLE PROPERTY OF LECO INDUSTRIES INC DBA PRECISION PRECAST. ANY REPRODUCTION PART OR AS A WHOLE WITHOUT WRITTEN PERMISSION OF LECO INDUSTRIES, INC DBA PRECISION PRECAST IS PROHIBITED.