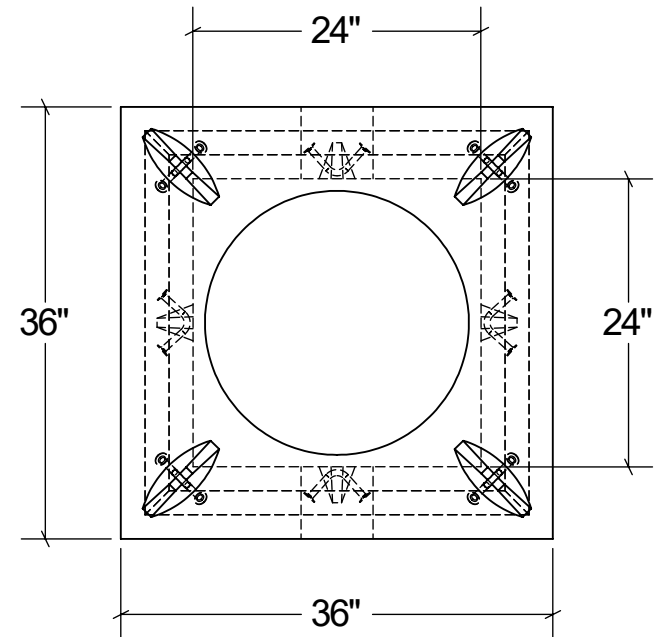
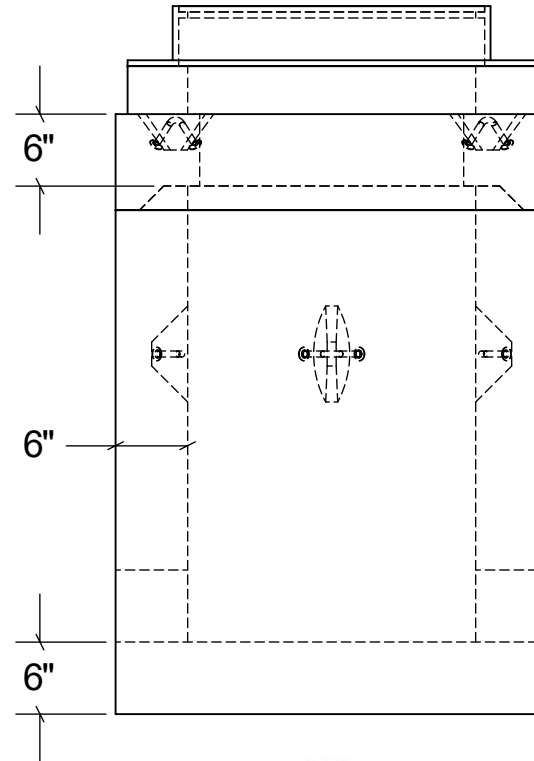


# SAMPLING PORT

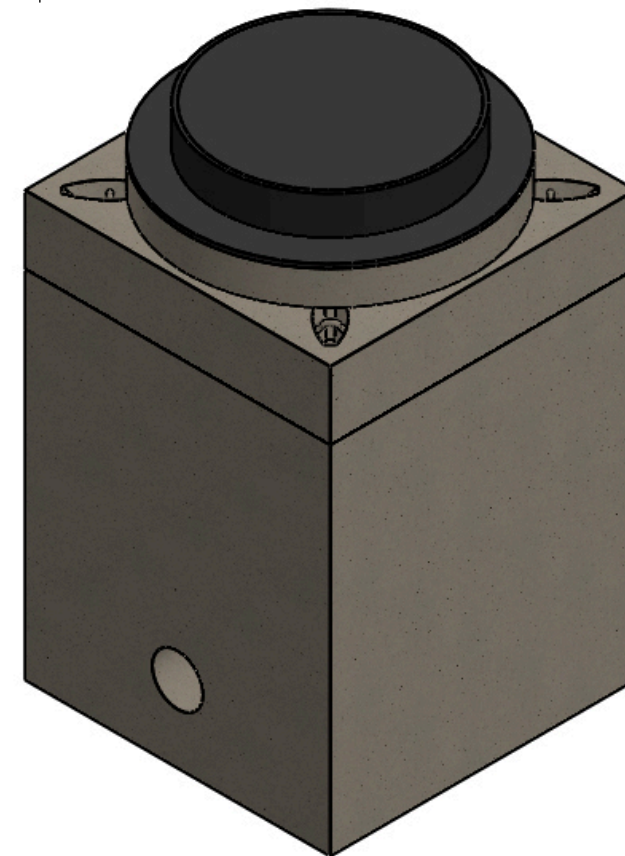
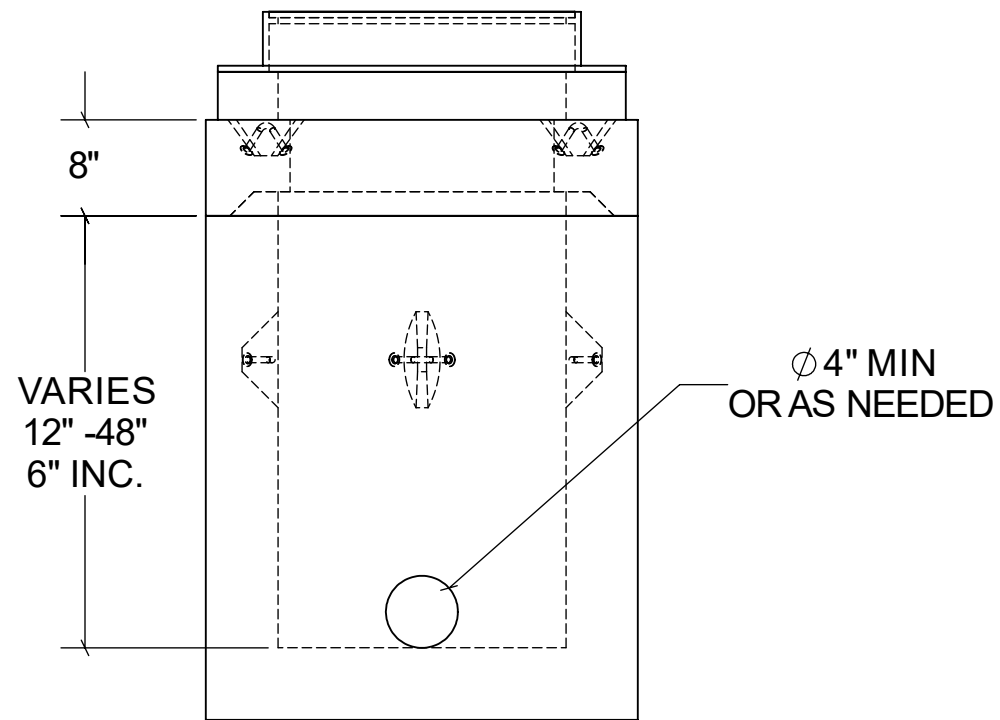
**TOP VIEW**



**END VIEW**



**SECTION VIEW**



**STRUCTURAL NOTES:**

1. ALL CONCRETESHALL BE PLACED IN A SINGLE CONTINUOUS OPERATION (MONOLITHIC POUR).
2. CONCRETESHALL HAVE A MINIMUM 28-DAY COMPRESSIVE STRENGTH OF 4000 PSI CONCRETEAGGREGATE SHALL CONFORM TO ASTM C33.
3. CEMENT SHALL CONFORM TO ASTM C150, TYPE I, II, OR III.
4. ALL STEEL REINFORCEMENTSHALL BE PLACED AS PER ACI 318-89.
5. H-20 LOAD RATED

**DRAWN:**  
10/18/23

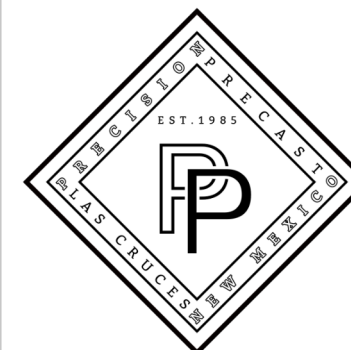
**WEIGHT:**  
VARIES

**SCALE:**  
VARIES

**MATERIAL:**  
4,000 PSI  
CONCRETE

**FINISH:**  
FORM FINISH

DIMENSIONS ARE IN  
FEET & INCHES  
TOLERANCES: ± 4-IN.



**PRECISION PRECAST**  
575-382-0501  
SALES@PRECISIONPRECAST.CO  
WWW.PRECISIONPRECAST.CO

PROPRIETARY AND CONFIDENTIAL THE INFORMATION CONTAINED IN THIS DRAWING IS THE SOLE PROPERTY OF LECO INDUSTRIES INC DBA PRECISION PRECAST. ANY REPRODUCTION PART OR AS A WHOLE WITHOUT WRITTEN PERMISSION OF LECO INDUSTRIES, INC DBA PRECISION PRECAST IS PROHIBITED.