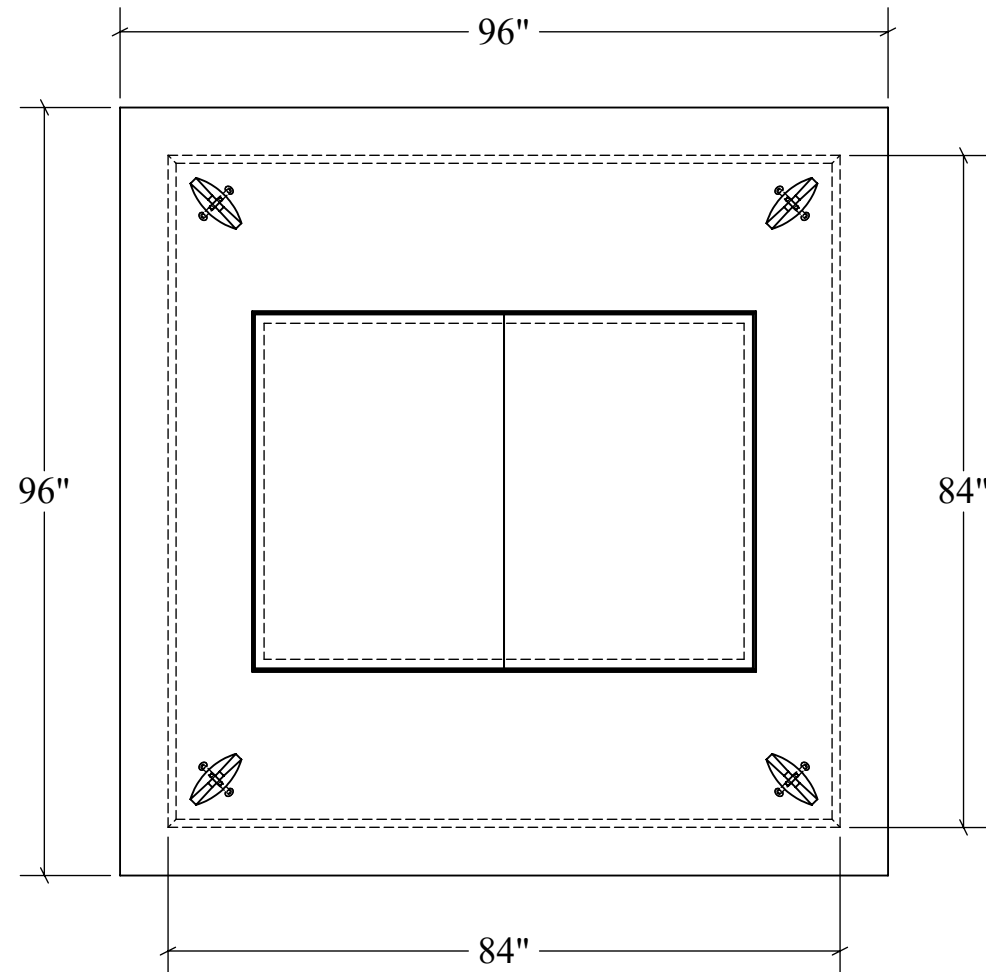
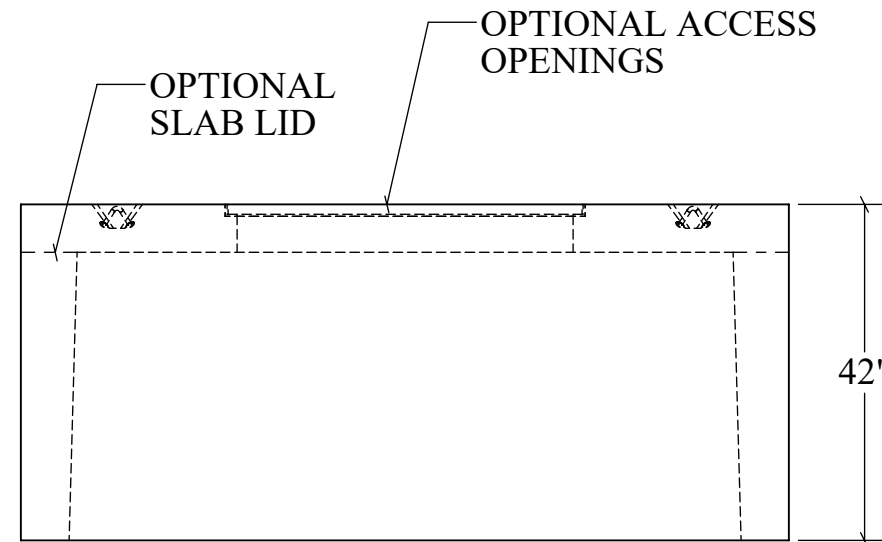


770 UTILITY VAULT

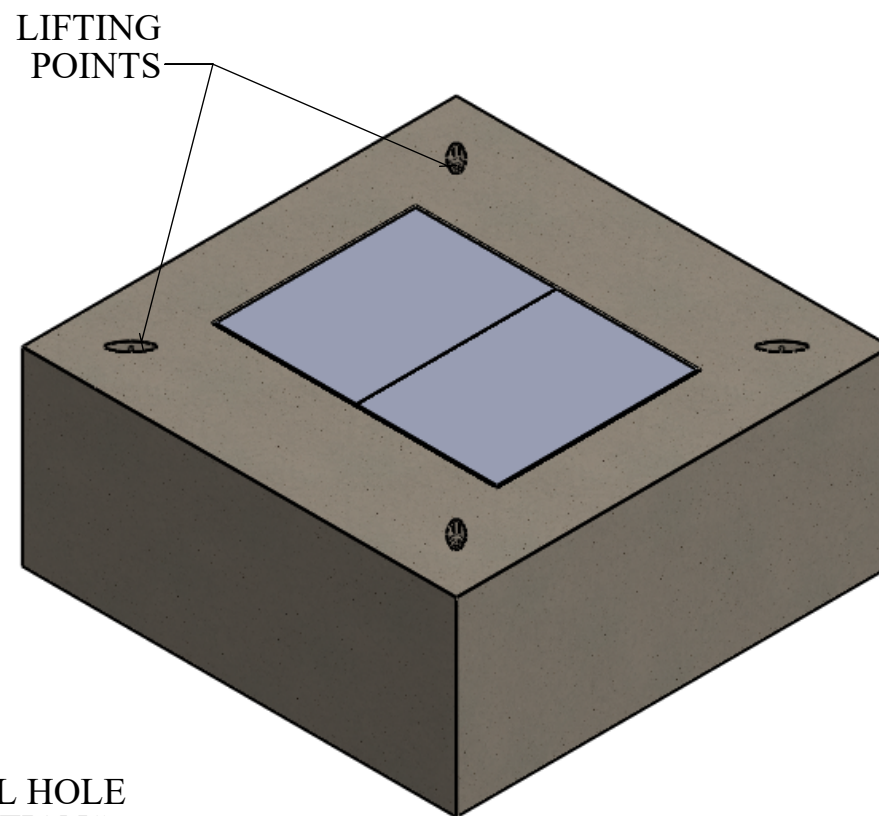
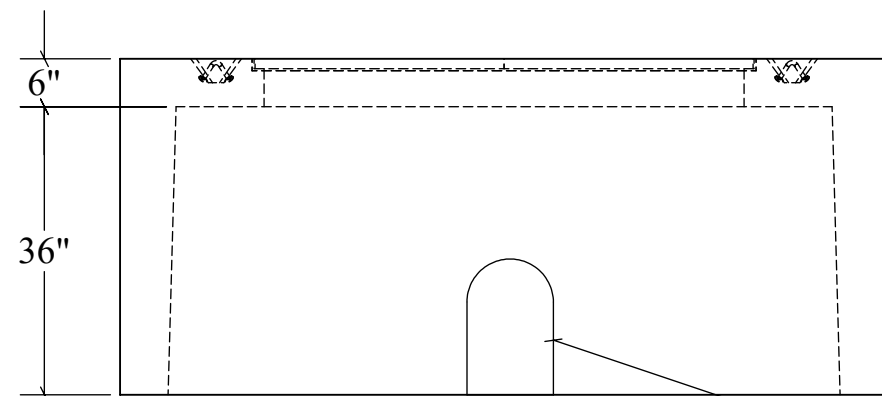
TOP VIEW



END VIEW



SECTION VIEW



OPTIONAL HOLE PENETRATIONS

STRUCTURAL NOTES:

1. ALL CONCRETE SHALL BE PLACED IN A SINGLE CONTINUOUS OPERATION (MONOLITHIC POUR).
2. CONCRETE SHALL HAVE A MINIMUM 28-DAY COMPRESSIVE STRENGTH OF 4000 PSI CONCRETE AGGREGATE SHALL CONFORM TO ASTM C33.
3. CEMENT SHALL CONFORM TO ASTM C150, TYPE I, II, OR III.
4. H-20 LOAD RATED

| | | |
|---|-------------------------------|---|
| DRAWN: 06/29/23 | WEIGHT: 13,250 LBS | SCALE: VARIES |
| MATERIAL: 4,000 PSI CONCRETE | FINISH: FORM FINISH | DIMENSIONS ARE IN FEET & INCHES TOLERANCES: ± 4-IN. |



PRECISION PRECAST
575-382-0501
SALES@PRECISIONPRECAST.CO
WWW.PRECISIONPRECAST.CO

PROPRIETARY AND CONFIDENTIAL THE INFORMATION CONTAINED IN THIS DRAWING IS THE SOLE PROPERTY OF LECO INDUSTRIES INC DBA PRECISION PRECAST. ANY REPRODUCTION PART OR AS A WHOLE WITHOUT WRITTEN PERMISSION OF LECO INDUSTRIES, INC DBA PRECISION PRECAST IS PROHIBITED.