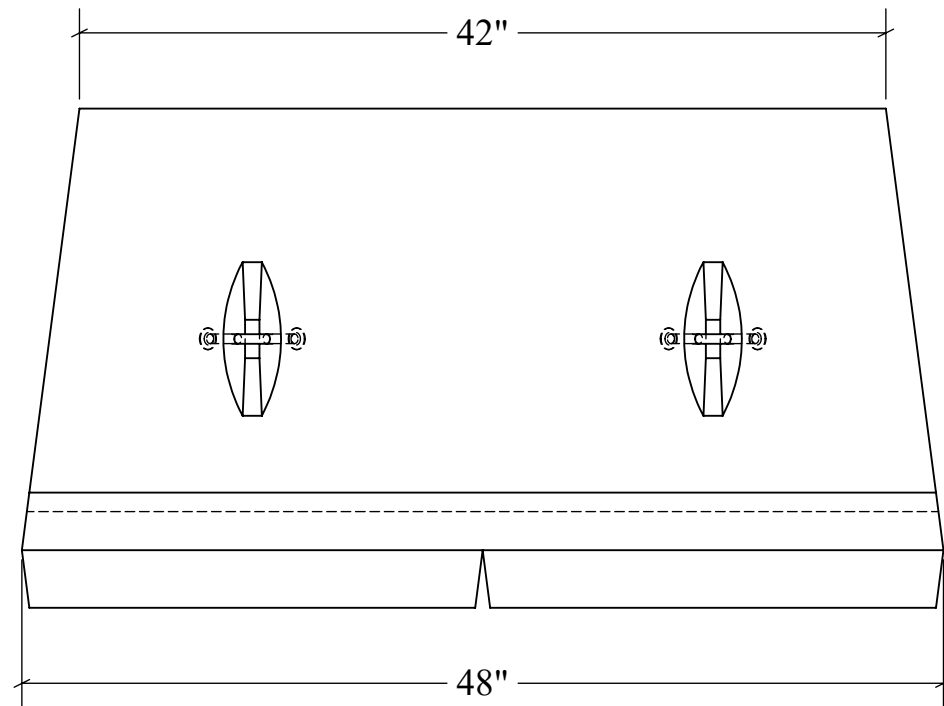
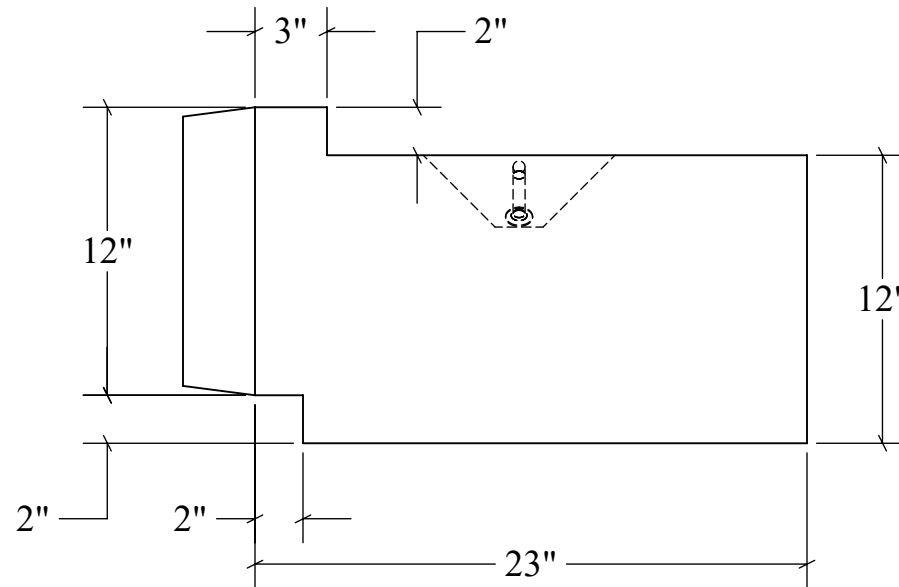


# LANDSCAPE BLOCK 4' - STANDARD

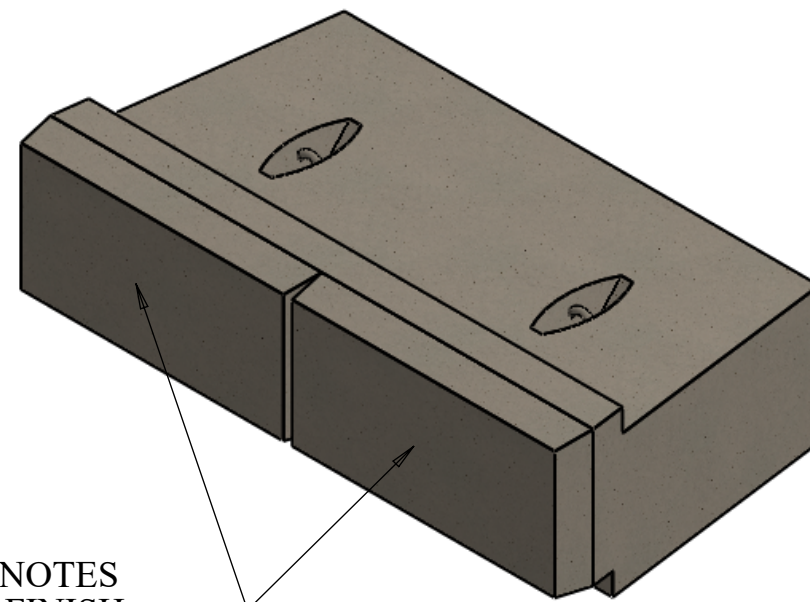
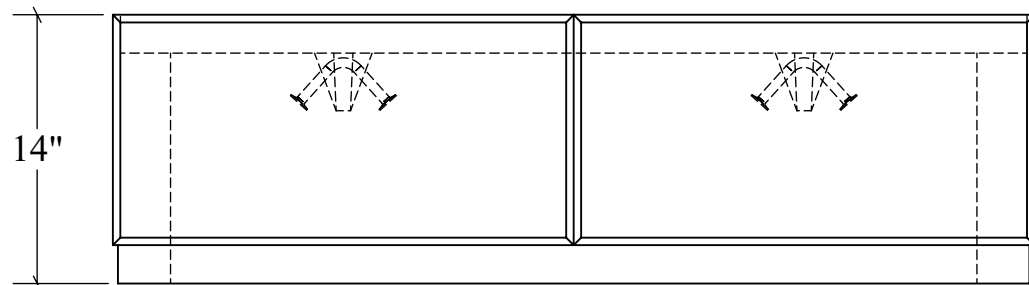
**TOP VIEW**



**SECTION VIEW**



**END VIEW**



SEE NOTES FOR FINISH

**STRUCTURAL NOTES:**

1. ALL CONCRETE SHALL BE PLACED IN A SINGLE CONTINUOUS OPERATION (MONOLITHIC POUR).
2. CONCRETE SHALL HAVE A MINIMUM 28-DAY COMPRESSIVE STRENGTH OF 4000 PSI. CONCRETE AGGREGATE SHALL CONFORM TO ASTM C33.
3. CEMENT SHALL CONFORM TO ASTM C150, TYPE I, II, OR III.
4. NON-REINFORCED CONCRETE.

QUARRY STONE FACE  
SAMPLE FINISH



|   |                               |   |
|---|-------------------------------|---|
| <b>DRAWN:</b><br>08/11/21                 | <b>WEIGHT:</b><br>1,230 LBS.  | <b>SCALE:</b><br>VARIES                                   |
| <b>MATERIAL:</b><br>4,000 PSI<br>CONCRETE | <b>FINISH:</b><br>FORM FINISH | DIMENSIONS ARE IN<br>FEET & INCHES<br>TOLERANCES: ± 4-IN. |



**PRECISION PRECAST**  
575-382-0501  
SALES@PRECISIONPRECAST.CO  
WWW.PRECISIONPRECAST.CO

PROPRIETARY AND CONFIDENTIAL THE INFORMATION CONTAINED IN THIS DRAWING IS THE SOLE PROPERTY OF LECO INDUSTRIES INC DBA PRECISION PRECAST. ANY REPRODUCTION PART OR AS A WHOLE WITHOUT WRITTEN PERMISSION OF LECO INDUSTRIES, INC DBA PRECISION PRECAST IS PROHIBITED.