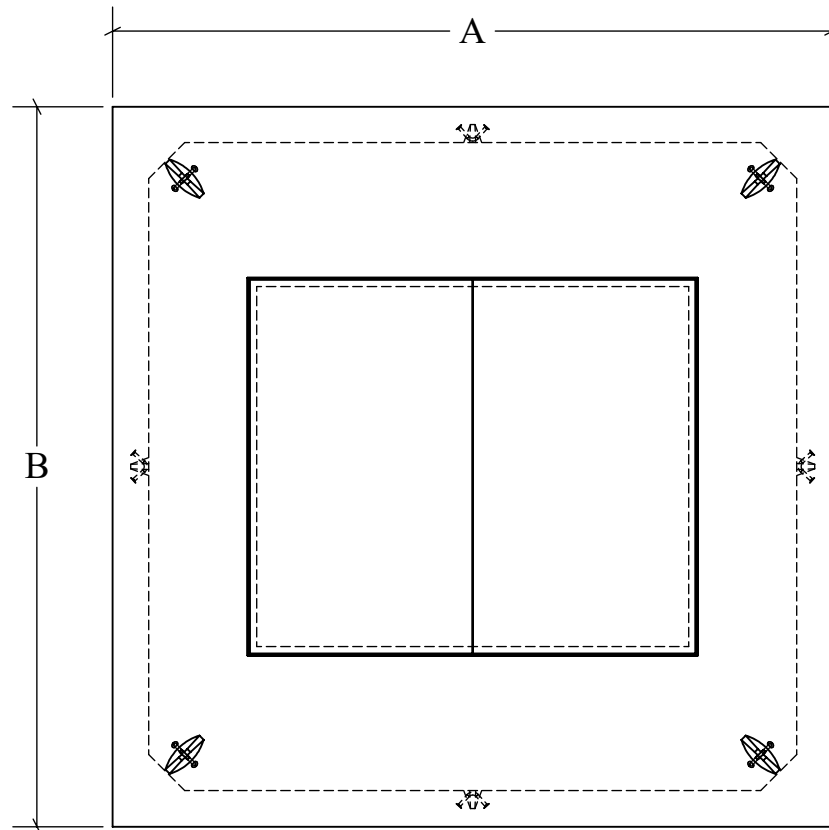
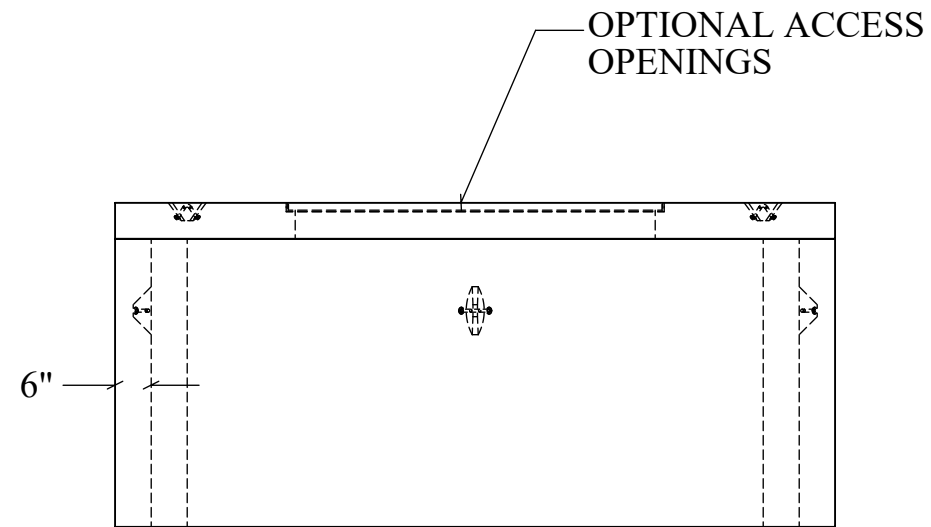


UTILITY VAULT

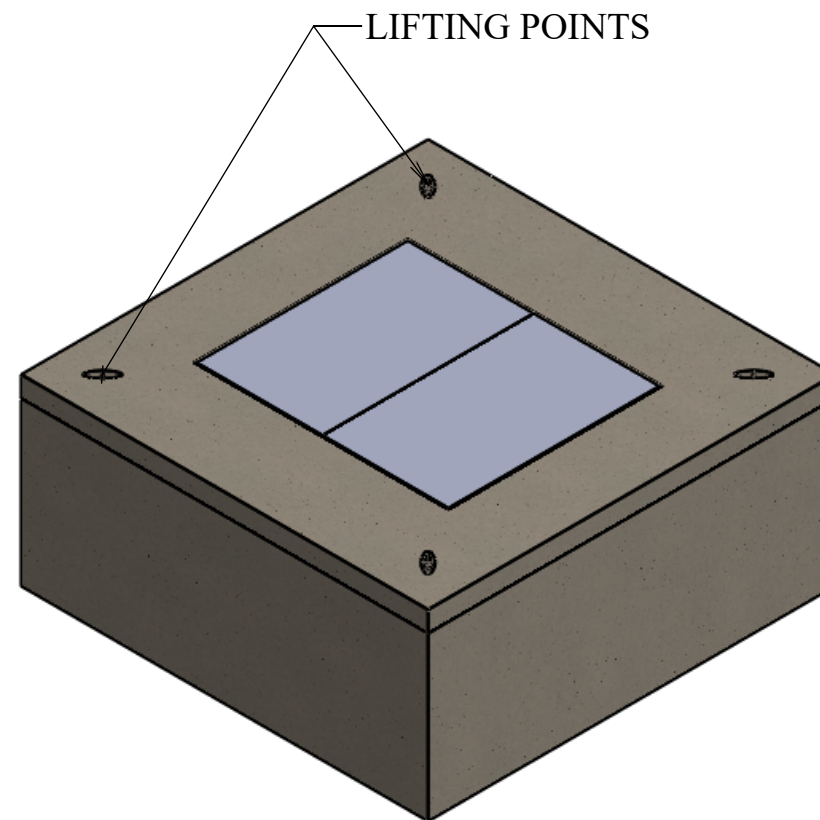
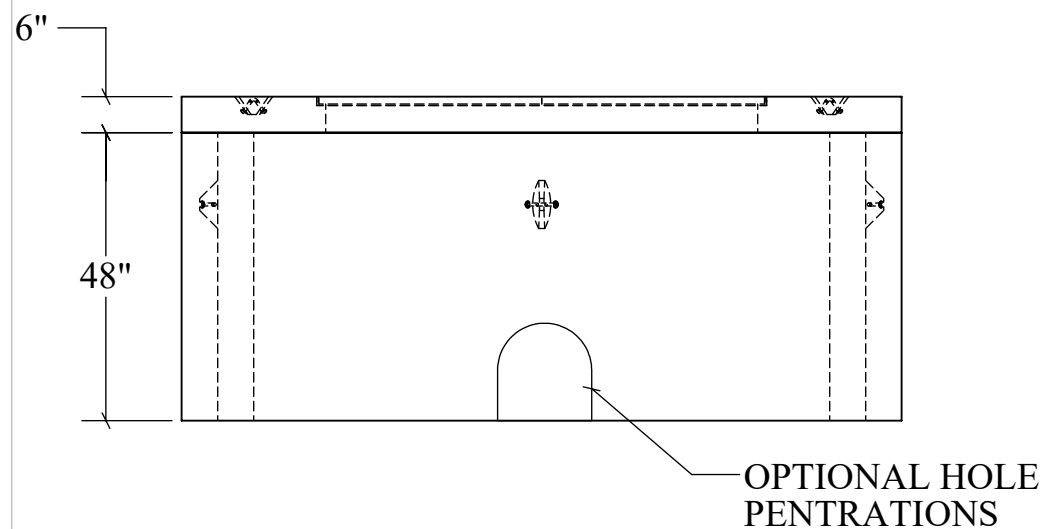
TOP VIEW



END VIEW



SECTION VIEW



WALL DIMENSIONS			
SIZE	A	B	WEIGHT
7' X 5'	84"	60"	7,200 LBS
7' X 7'	84"	84"	8,400 LBS
9' X 7'	108"	84"	9,600 LBS
9' X 9'	108"	108"	10,800 LBS
11' X 9'	132"	108"	12,000 LBS
10' X 10'	120"	120"	12,000 LBS

LID DIMENSIONS	
SIZE	WEIGHT
7' X 5'	2,625 LBS
7' X 7'	3,675 LBS
9' X 7'	4,725 LBS
9' X 9'	6,075 LBS
11' X 9'	7,425 LBS
10' X 10'	7,500 LBS

STRUCTURAL NOTES:

1. ALL CONCRETE SHALL BE PLACED IN A SINGLE CONTINUOUS OPERATION (MONOLITHIC POUR).
2. CONCRETE SHALL HAVE A MINIMUM 28-DAY COMPRESSIVE STRENGTH OF 4000 PSI CONCRETE AGGREGATE SHALL CONFORM TO ASTM C33.
3. CEMENT SHALL CONFORM TO ASTM C150, TYPE I, II, OR III.
4. H-20 LOAD RATED

DRAWN: 06/28/23	WEIGHT: VARIES	SCALE: VARIES
MATERIAL: 4,000 PSI CONCRETE	FINISH: FORM FINISH	DIMENSIONS ARE IN FEET & INCHES TOLERANCES: ± 4-IN.



PRECISION PRECAST
575-382-0501
SALES@PRECISIONPRECAST.CO
WWW.PRECISIONPRECAST.CO

PROPRIETARY AND CONFIDENTIAL THE INFORMATION CONTAINED IN THIS DRAWING IS THE SOLE PROPERTY OF LECO INDUSTRIES INC DBA PRECISION PRECAST. ANY REPRODUCTION PART OR AS A WHOLE WITHOUT WRITTEN PERMISSION OF LECO INDUSTRIES, INC DBA PRECISION PRECAST IS PROHIBITED.