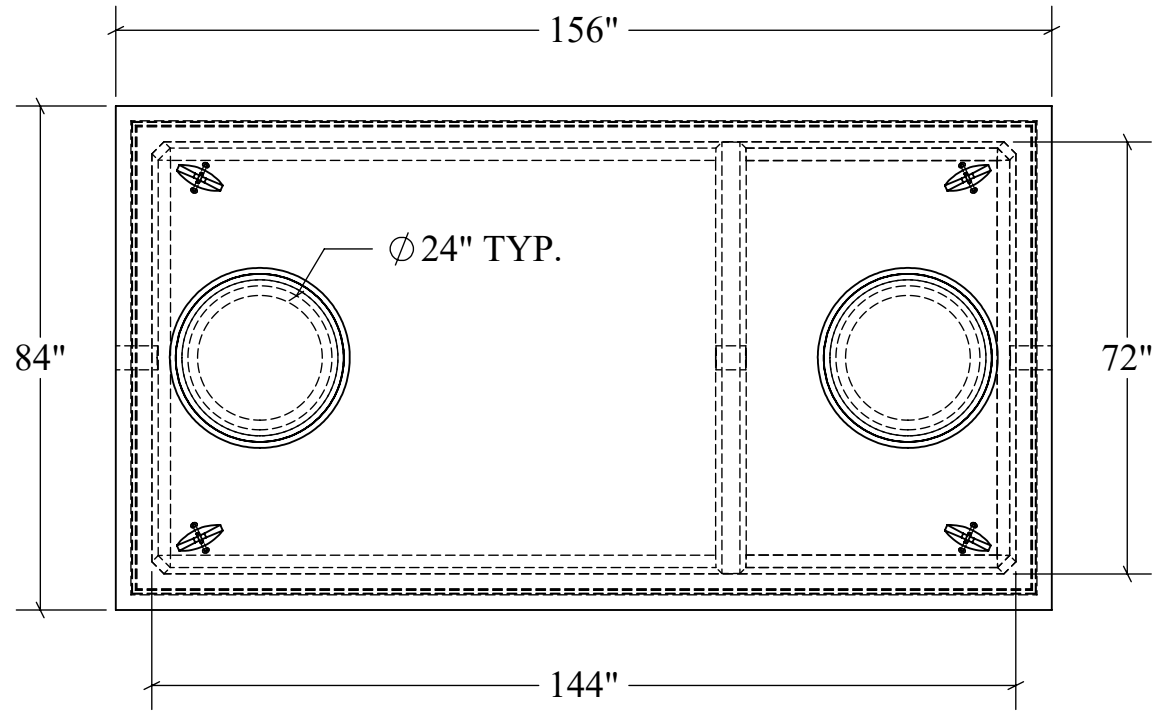
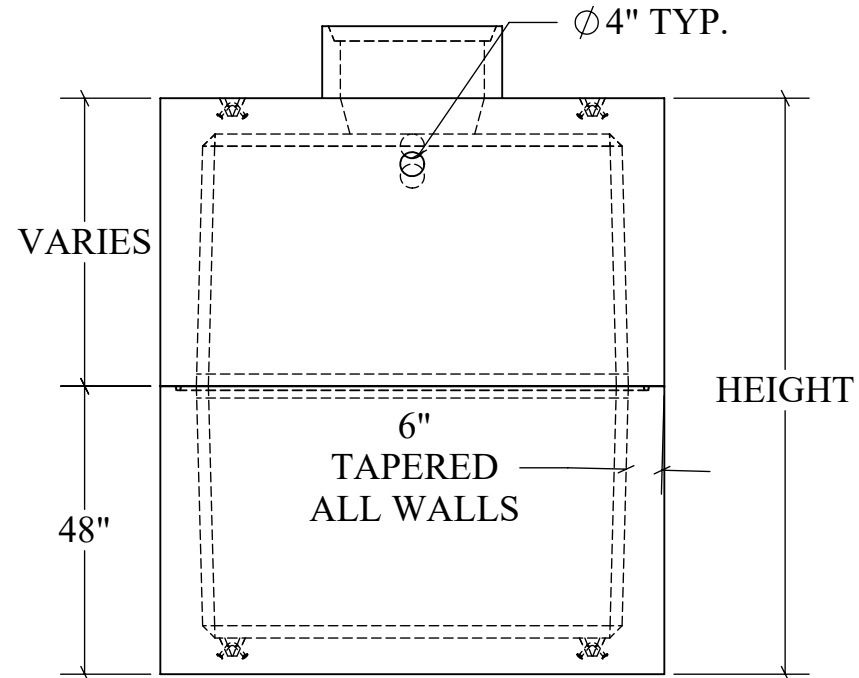


COMMERCIAL SEPTIC TANK

TOP VIEW

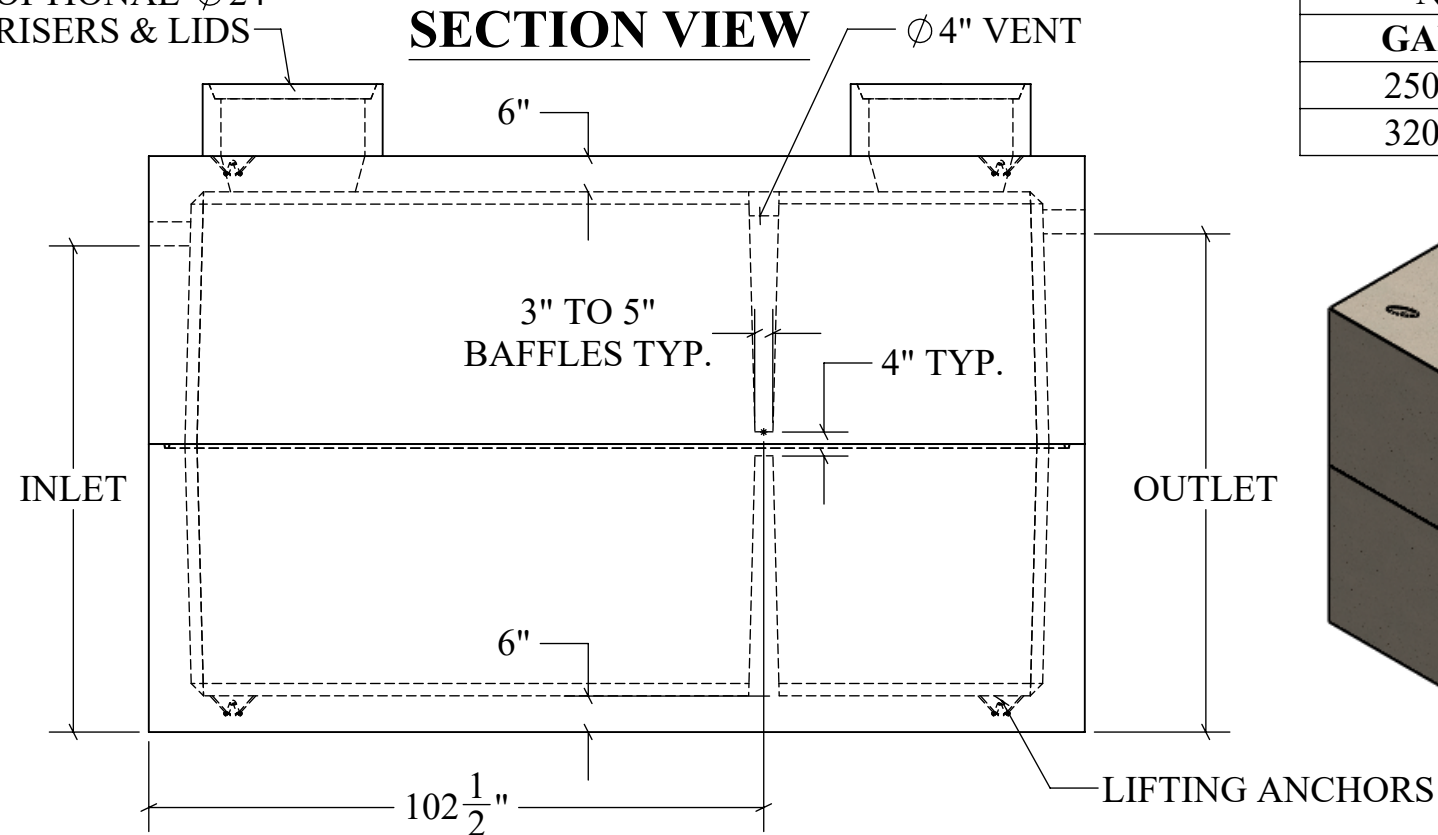


END VIEW

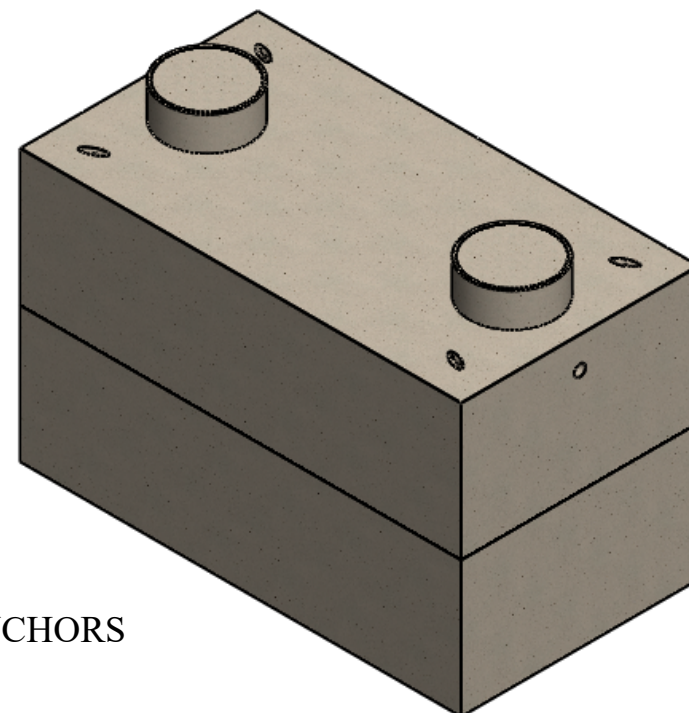


OPTIONAL Ø 24" RISERS & LIDS

SECTION VIEW



NMED CERTIFICATION	
GAL	NM CERT #
2500	NM-03-06-168B
3200	NM-03-06-168C



TANK DIMENSIONS

GAL	HEIGHT	INLET	OUTLET	LBS.
2500	79"	66"	64"	31,951
3200	96"	83"	81"	37,026

STRUCTURAL NOTES:

1. ALL CONCRETE SHALL BE PLACED IN A SINGLE CONTINUOUS OPERATION (MONOLITHIC POUR).
2. CONCRETE SHALL HAVE A MINIMUM 28-DAY COMPRESSIVE STRENGTH OF 4000 PSI. CONCRETE AGGREGATE SHALL CONFORM TO ASTM C33.
3. CEMENT SHALL CONFORM TO ASTM C150, TYPE I, II, OR III.
4. ALL STEEL REINFORCEMENT SHALL BE PLACED AS PER ACI 318-89
5. INLET AND OULET MUST HAVE FLEXIBLE CONNECTOR PER ASTM C 1644
6. TANK MARKINGS SHALL BE PER IAPMO/ANSI Z1000-2013
7. ENGINEERED AND DESIGNED FOR H-20 LOAD.

DRAWN: 06/07/21	WEIGHT: VARIES	SCALE: VARIES
MATERIAL: 4,000 PSI CONCRETE	FINISH: FORM FINISH	DIMENSIONS ARE IN FEET & INCHES TOLERANCES: ± 4-IN.



PRECISION PRECAST

575-382-0501
SALES@PRECISIONPRECAST.CO
WWW.PRECISIONPRECAST.CO

PROPRIETARY AND CONFIDENTIAL THE INFORMATION CONTAINED IN THIS DRAWING IS THE SOLE PROPERTY OF LECO INDUSTRIES INC DBA PRECISION PRECAST. ANY REPRODUCTION PART OR AS A WHOLE WITHOUT WRITTEN PERMISSION OF LECO INDUSTRIES, INC DBA PRECISION PRECAST IS PROHIBITED.