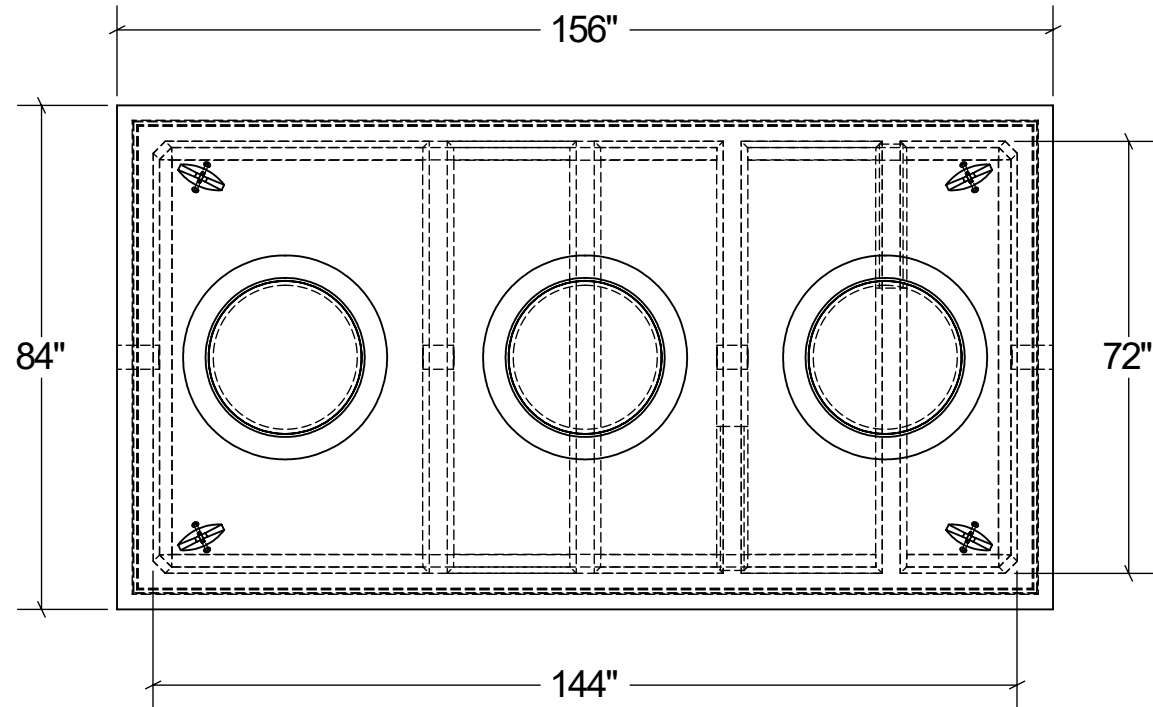
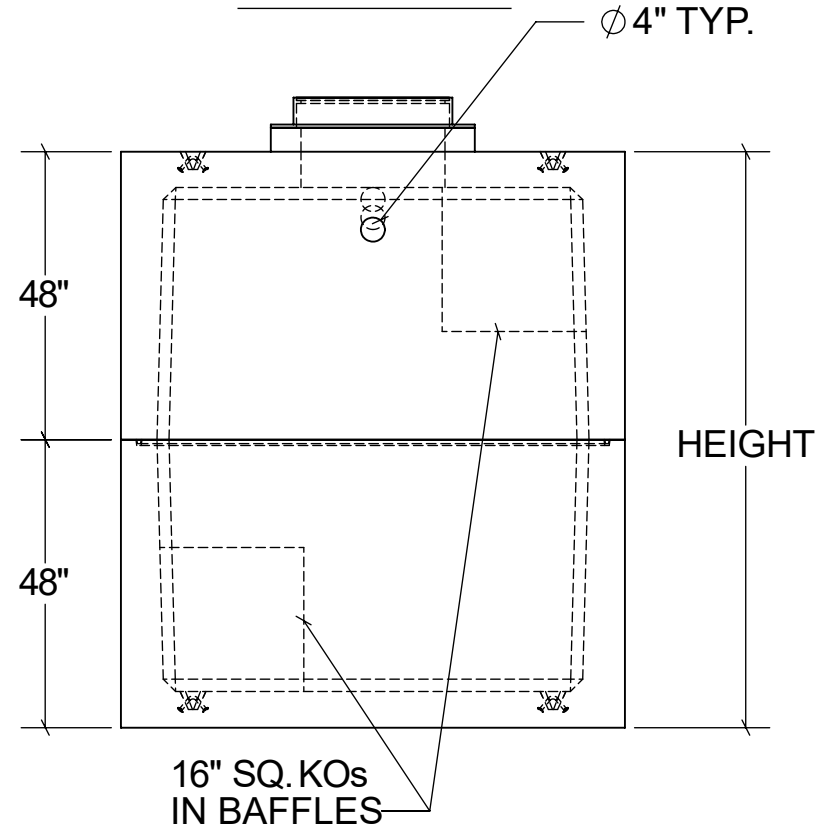


# 2500 & 3200 GAL CLARIFIER

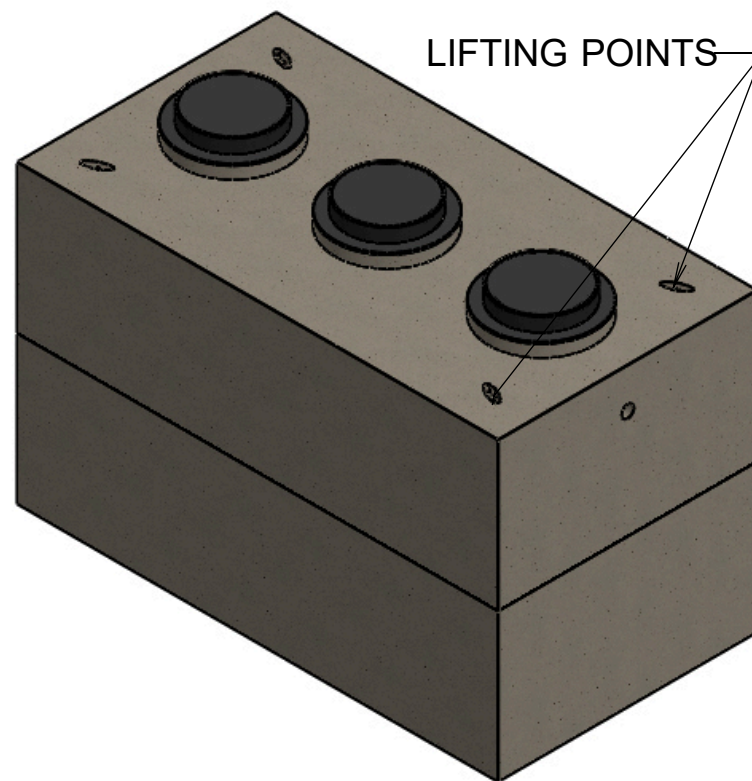
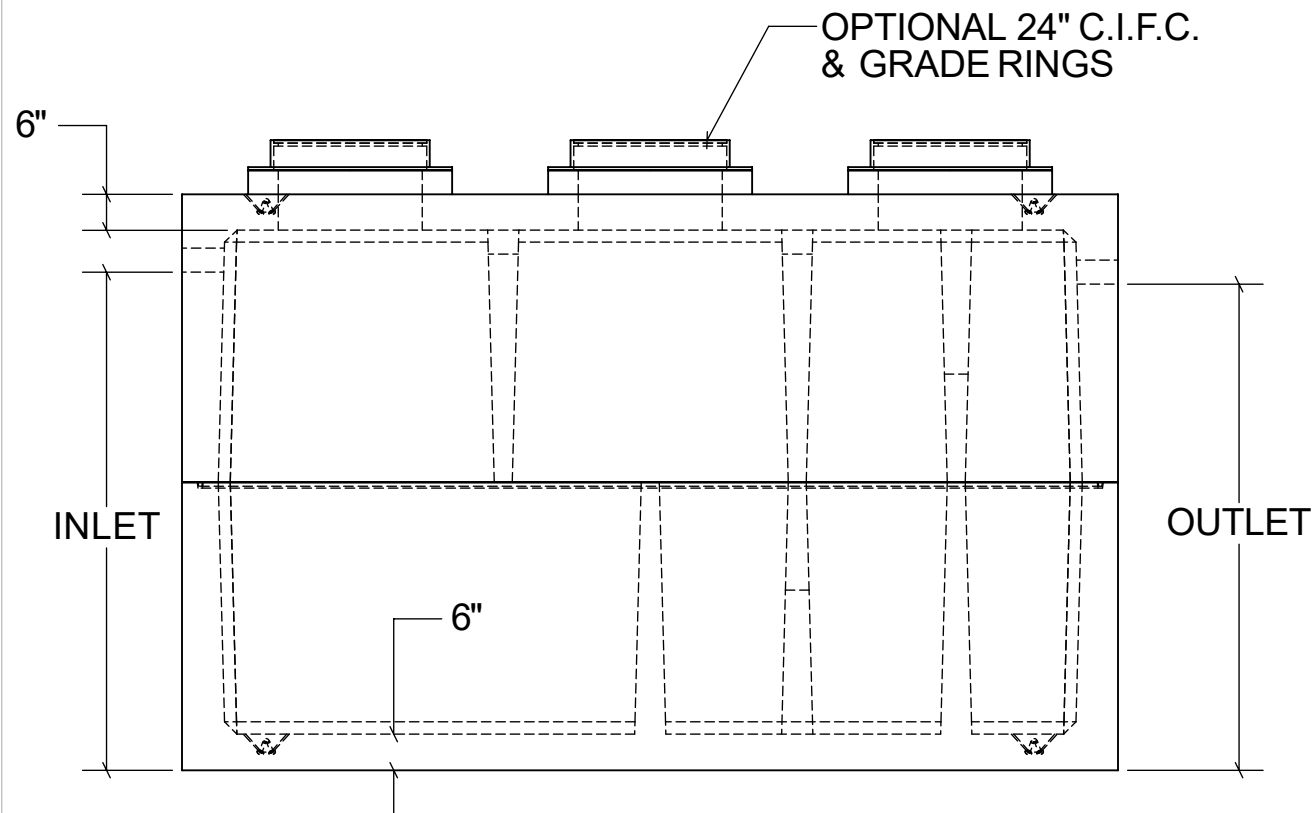
**TOP VIEW**



**END VIEW**



**SECTION VIEW**



**INTERCEPTOR DIMENSIONS**

GAL	HEIGHT	INLET	OUTLET	LBS.
2500	79"	66"	64"	34,844
3200	96"	83"	81"	40,699

**STRUCTURAL NOTES:**

1. ALL CONCRETESHALL BE PLACED IN A SINGLE CONTINUOUS OPERATION (MONOLITHIC POUR).
2. CONCRETESHALL HAVE A MINIMUM 28-DAY COMPRESSIVE STRENGTH OF 4000 PSI CONCRETE AGGREGATE SHALL CONFORM TO ASTM C33.
3. CEMENT SHALL CONFORM TO ASTM C150, TYPE I, II, OR III.
4. ALL STEEL REINFORCEMENTSHALL BE PLACED AS PER ACI 318-89.
5. DESIGN LOAD IS 500 PSF. BASE ON SEVEN (7) FEET OF EARTH COVER.
6. H-20 LOAD RATED

**DRAWN:**

04/14/23

**WEIGHT:**

VARIES

**SCALE:**

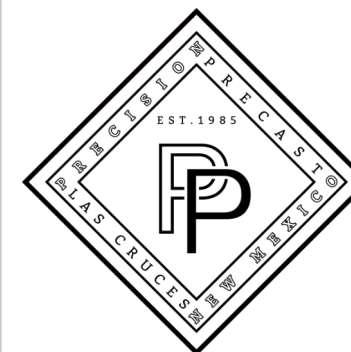
VARIES

**MATERIAL:**

4,000 PSI  
CONCRETE

**FINISH:**  
FORM FINISH

DIMENSIONS ARE IN  
FEET & INCHES  
TOLERANCES: ± 4-IN.



**PRECISION PRECAST**

575-382-0501

SALES@PRECISIONPRECAST.CO

WWW.PRECISIONPRECAST.CO

PROPRIETARY AND CONFIDENTIAL THE INFORMATION CONTAINED IN THIS DRAWING IS THE SOLE PROPERTY OF LECO INDUSTRIES INC DBA PRECISION PRECAST. ANY REPRODUCTION PART OR AS A WHOLE WITHOUT WRITTEN PERMISSION OF LECO INDUSTRIES, INC DBA PRECISION PRECAST IS PROHIBITED.