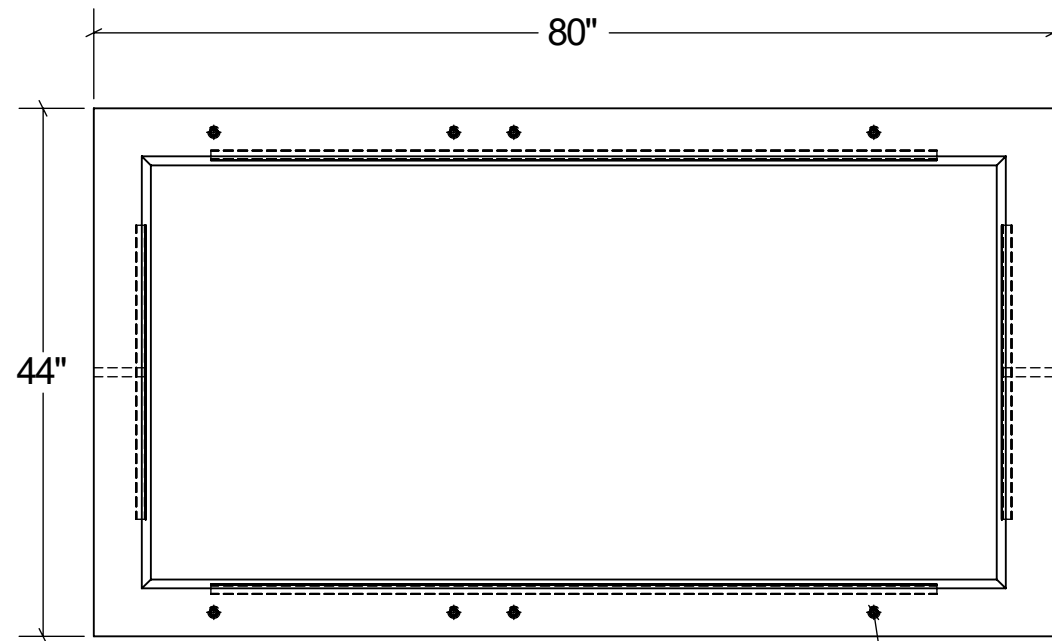
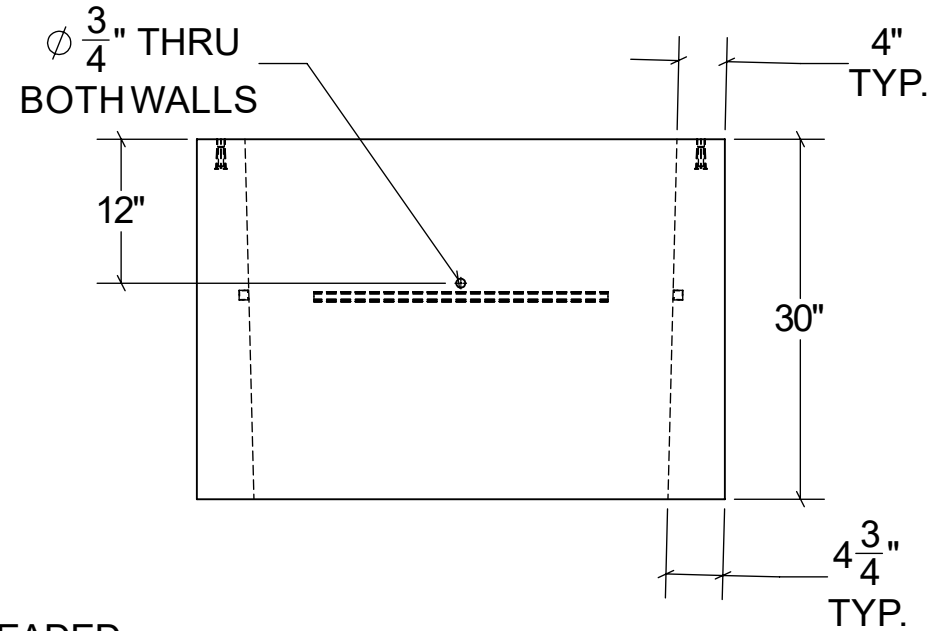


# 4480 PULLBOX - UNI

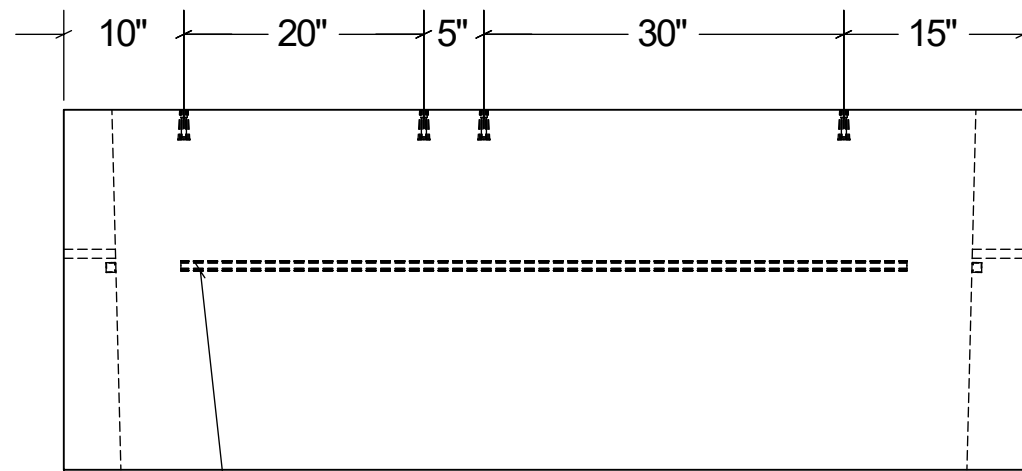
**TOP VIEW**



**END VIEW**

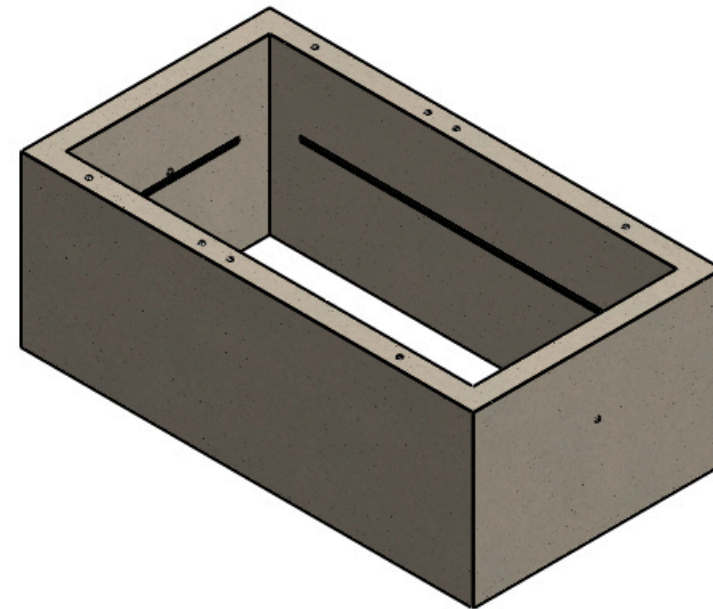


**SECTION VIEW**



0.5" THREADED  
INSTERT (X8)

UNISTRUT (ALL WALLS)



**STRUCTURAL NOTES:**

1. ALL CONCRETE SHALL BE PLACED IN A SINGLE CONTINUOUS OPERATION (MONOLITHIC POUR).
2. CONCRETE SHALL HAVE A MINIMUM 28-DAY COMPRESSIVE STRENGTH OF 4000 PSI CONCRETE AGGREGATE SHALL CONFORM TO ASTM C33.
3. CEMENT SHALL CONFORM TO ASTM C150, TYPE I, II, OR III.
4. MINIMUM REINFORCEMENT GRADE 60 4" X 4" X 0.102" X 0.102" W.W.F. ALL SIDES

**DRAWN:**  
03/06/23

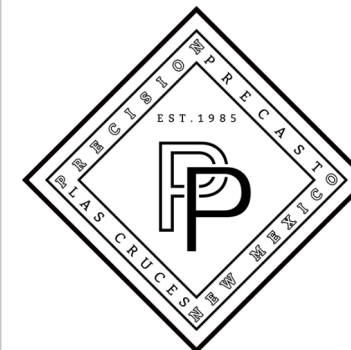
**WEIGHT:**  
2,622 LBS.

**SCALE:**  
VARIES

**MATERIAL:**  
4,000 PSI  
CONCRETE

**FINISH:**  
FORM FINISH

DIMENSIONS ARE IN  
FEET & INCHES  
TOLERANCES: ± 2-IN.



**PRECISION PRECAST**  
575-382-0501  
SALES@PRECISIONPRECAST.CO  
WWW.PRECISIONPRECAST.CO

PROPRIETARY AND CONFIDENTIAL THE INFORMATION CONTAINED IN THIS DRAWING IS THE SOLE PROPERTY OF LECO INDUSTRIES INC DBA PRECISION PRECAST. ANY REPRODUCTION PART OR AS A WHOLE WITHOUT WRITTEN PERMISSION OF LECO INDUSTRIES, INC DBA PRECISION PRECAST IS PROHIBITED.