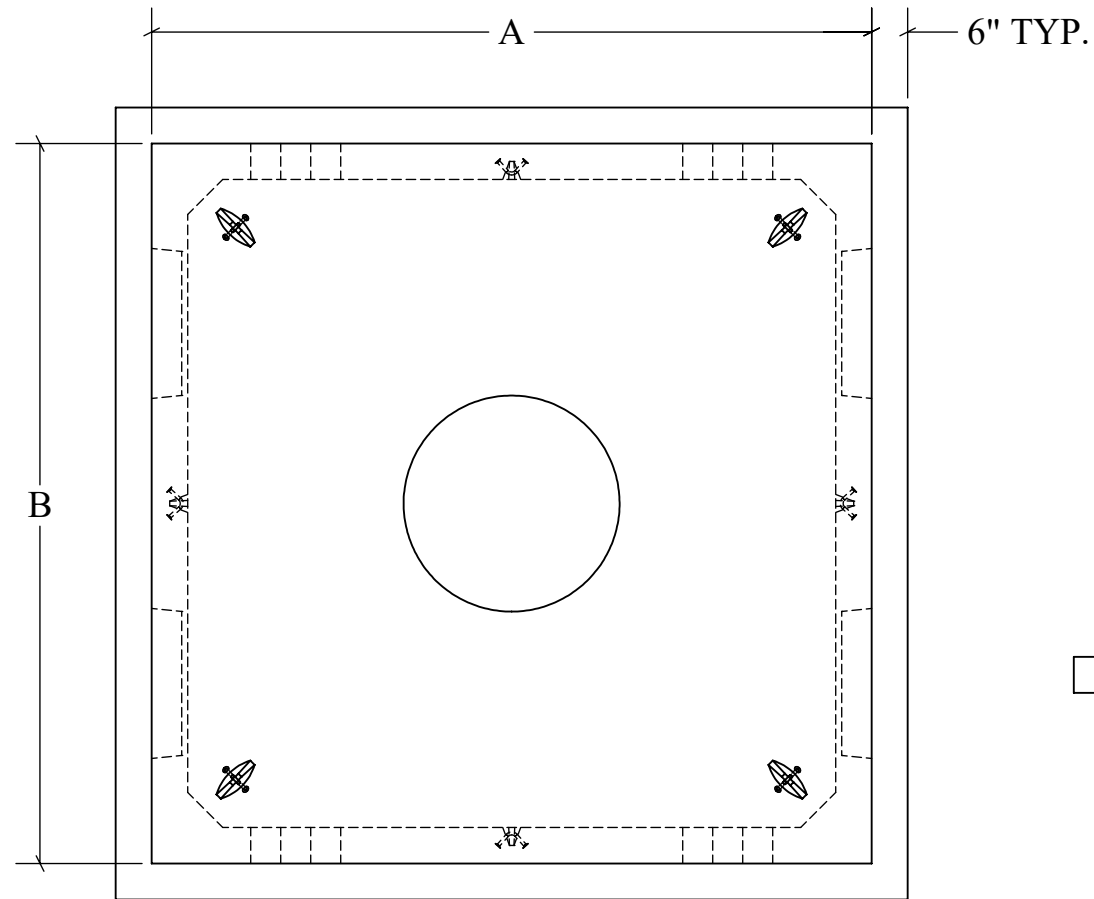
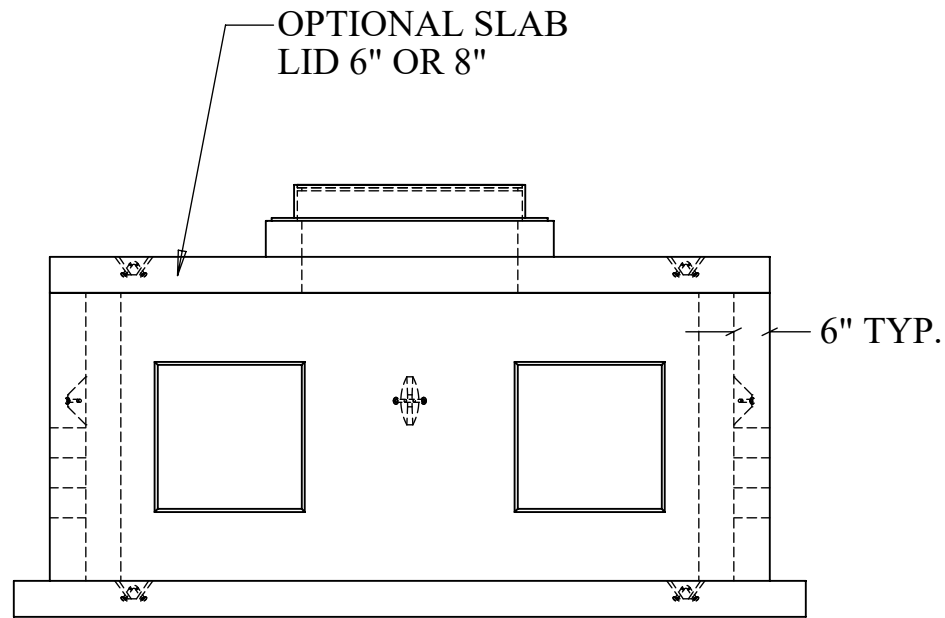


DYNAMIC HANDHOLE

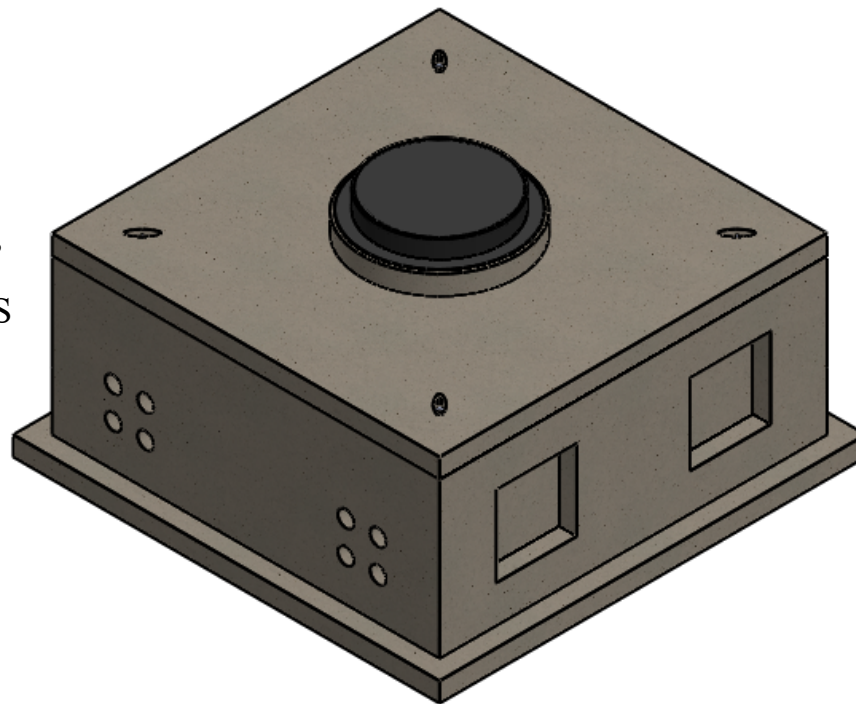
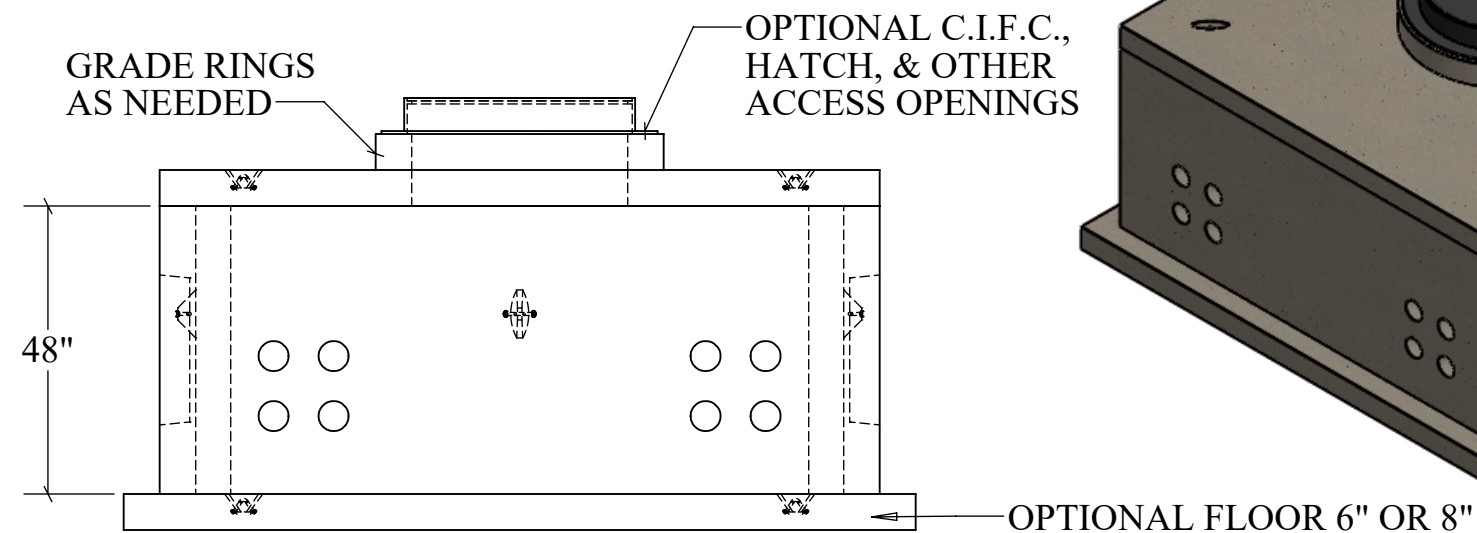
TOP VIEW



END VIEW



SECTION VIEW



HANDHOLE SIZES

SIZE	A	B	WEIGHT*
7' X 5'	84"	60"	7,200 LBS
7' X 7'	84"	84"	8,400 LBS
9' X 7'	108"	84"	9,600 LBS
9' X 9'	108"	108"	10,800 LBS
11' X 9'	132"	108"	12,000 LBS
10' X 10'	120"	120"	12,000 LBS

STUCTURAL NOTES: *WALL SECTION ONLY

1. ALL CONCRETE SHALL BE PLACED IN A SINGLE CONTINUOUS OPERATION (MONOLITHIC POUR).
2. CONCRETE SHALL HAVE A MINIMUM 28-DAY COMPRESSIVE STRENGTH OF 4000 PSI CONCRETE AGGREGATE SHALL CONFORM TO ASTM C33.
3. CEMENT SHALL CONFORM TO ASTM C150, TYPE I, II, OR III.
4. H-20 LOAD RATED

DRAWN:
03/07/23

WEIGHT:
VARIES

SCALE:
VARIES

MATERIAL:
4,000 PSI
CONCRETE

FINISH:
FORM FINISH

DIMENSIONS ARE IN
FEET & INCHES
TOLERANCES: ± 4-IN.



PRECISION PRECAST

575-382-0501

SALES@PRECISIONPRECAST.CO

WWW.PRECISIONPRECAST.CO

PROPRIETARY AND CONFIDENTIAL THE INFORMATION CONTAINED IN THIS DRAWING IS THE SOLE PROPERTY OF LECO INDUSTRIES INC DBA PRECISION PRECAST. ANY REPRODUCTION PART OR AS A WHOLE WITHOUT WRITTEN PERMISSION OF LECO INDUSTRIES, INC DBA PRECISION PRECAST IS PROHIBITED.